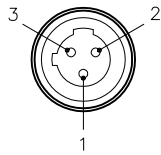


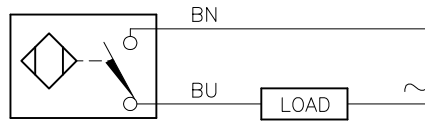
MALE END VIEW



- 1 = N/C
- 2 = BROWN
- 3 = BLUE



WIRING DIAGRAM

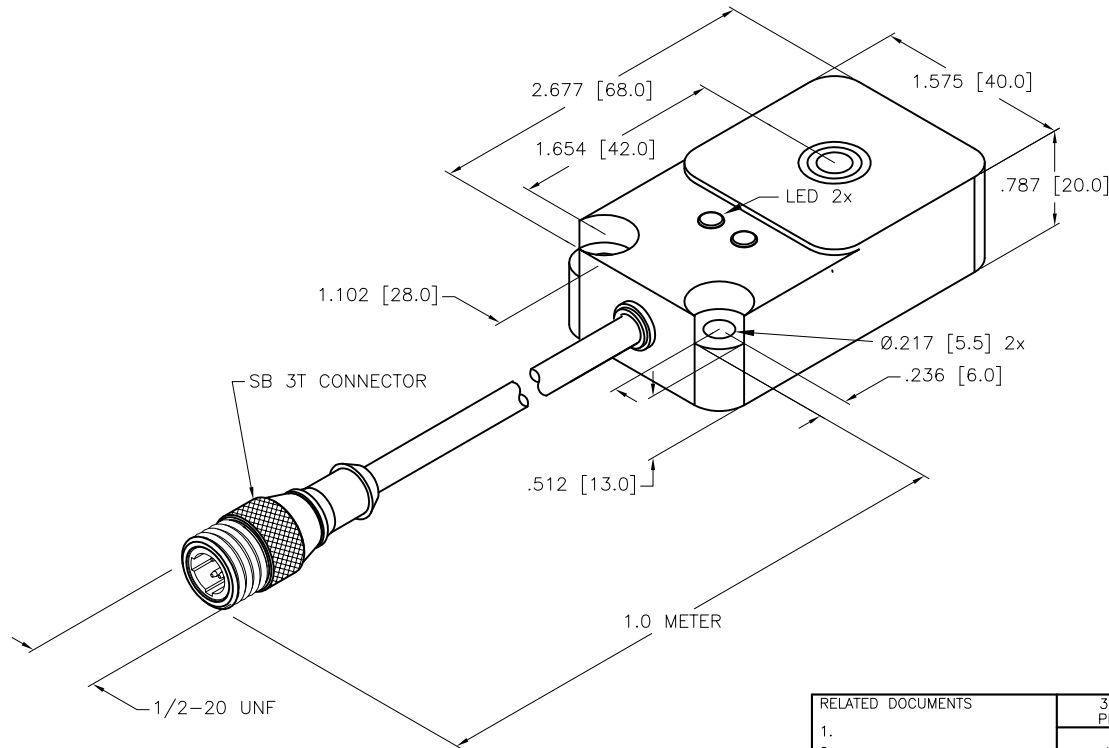


OUTPUT: ADZ32X2

SHORT-CIRCUIT AND OVERLOAD PROTECTED

SPECIFICATIONS

RATED OPERATING DISTANCE	15 mm = .591" (NOMINAL)
MOUNTING MODE	FLUSH
TEMPERATURE DRIFT	≤±10%
DIFFERENTIAL TRAVEL (HYSTERESIS)	3-15%
MIN. REPEAT ACCURACY	≤2%
OPERATING TEMPERATURE	-25°C to +70°C (-13°F to +158°F)
RATED OPERATIONAL VOLTAGE	20-250 VAC, 10-300 VDC
RATED OPERATIONAL CURRENT (AC/DC)	≤100 mA
LINE FREQUENCY	50-60 Hz
MAX. OFF-STATE CURRENT	≤1.7 mA
RATED INSULATION VOLTAGE	≤1.5 kV
SURGE CURRENT	≤1.0 A
SHORT CIRCUIT PROTECTION	INCORPORATED
MAX. VOLTAGE DROP	≤6 V
WIRE-BREAK PROTECTION	INCORPORATED
REVERSE POLARITY PROTECTION	INCORPORATED
OUTPUT FUNCTION	2-WIRE, NORMALLY OPEN
MIN. OPERATIONAL CURRENT	≥ 3mA
MAX. SWITCHING FREQUENCY	≤0.02 kHz
HOUSING MATERIAL	PLASTIC, PBT-GF30-V0
ACTIVE FACE	PLASTIC, PBT-GF30-V0
CABLE/JACKET MATERIAL/LENGTH	ø5.2, LifyY, PVC
VIBRATION RESISTANCE	55 Hz, 1 mm AMPLITUDE (IN ALL 3 PLANES)
SHOCK RESISTANCE	30 g, 11 ms
DEGREE OF PROTECTION	IP67
SUPPLY VOLTAGE INDICATION	LED: GREEN
SWITCHING STATUS INDICATION	LED: YELLOW



SOURCE DRAWING - FOR REFERENCE ONLY

RELATED DOCUMENTS 1. 2. 3. 4.	3RD ANGLE PROJECTION 	THIS DRAWING IS CONFIDENTIAL AND THE PROPERTY OF TURCK INC. USE OF THIS DOCUMENT WITHOUT WRITTEN PERMISSION IS PROHIBITED.		3000 CAMPUS DRIVE MINNEAPOLIS, MN 55441 1-800-544-7769 (763) 553-7300 (763) 553-0708 fax www.turck.us	
	MATERIAL SEE SPECIFICATIONS	DRFT RDS APVD AF	DATE 03/13/08 SCALE NONE	DESCRIPTION BI15-Q20-ADZ32X2-1M-SB3T	
FINISH	ALL DIMENSIONS DISPLAYED ON THIS DRAWING ARE FOR REFERENCE ONLY	UNIT OF MEASUREMENT INCH [MILLIMETER]		IDENTIFICATION NO. 4526283	REV B
B UPDATE ID NUMBER PER HARMONIZATION PROJECT	CBM 11/06/17	DO NOT SCALE THIS DRAWING		FILE: 4526283	SHEET 1 OF 1
REV DESCRIPTION	BY DATE ECO NO.				

B	UPDATE ID NUMBER PER HARMONIZATION PROJECT	CBM	11/06/17	
REV	DESCRIPTION	BY	DATE	ECO NO.